

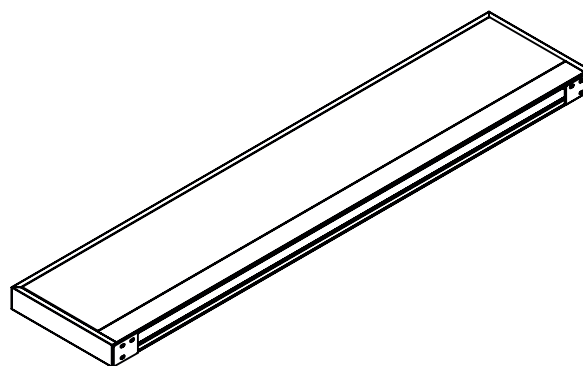
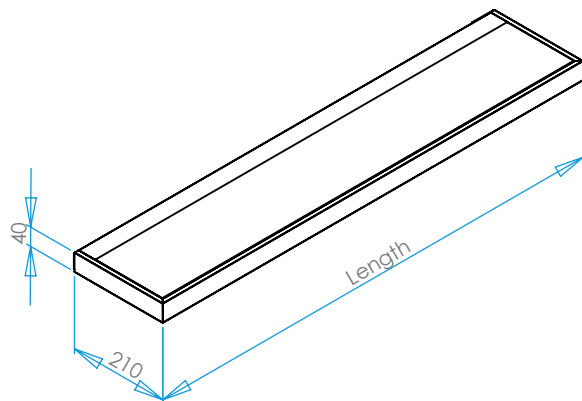
Light board 100

www.gera-leuchten.de

Technical information 06.2015

Light connection	center, directly onto the connecting terminal
Light length	minimum 600 mm maximum 1200 mm
Load-bearing capacity	5 kg/m
Materials	anodised aluminium coloured anodised brown-black coloured Single-pane safety glass satin-finished Contact switch left

Nominal voltage	230 V, 50 - 60 Hz
Illuminant	LED
White adaptation	3000 - 6000 K, adaptable Brightness 500 lm/m, adaptable Power 7,5 W/m
Colour adaptation	entire colour spectrum, adaptable Brightness 1000 lm/m Power 20 W/m
Energy efficiency class	A+
Protection class	◊
Protection type	IP 20



Dimensions in mm