

Profile light

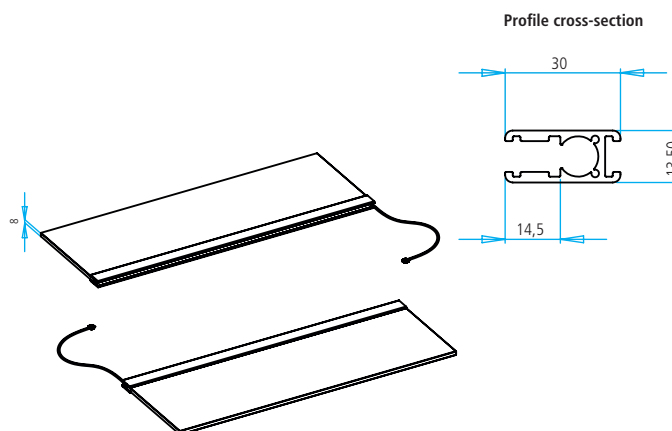
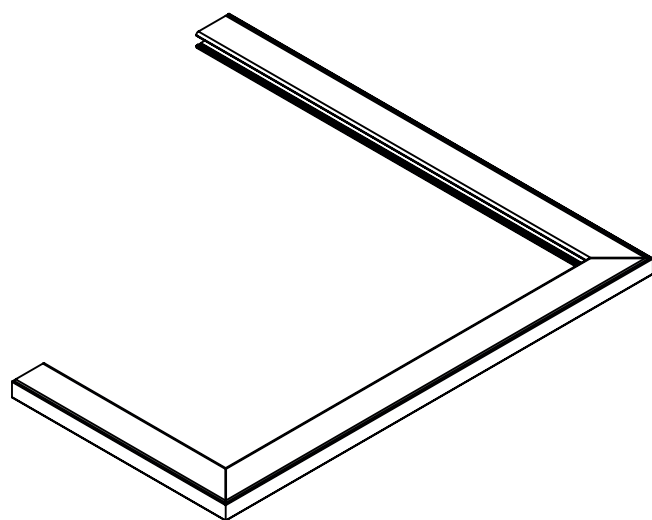
GERA Light system 7

www.gera-leuchten.de

Technical information 06.2015

Light connection	can be planned, connection cable 1.5 m with mini plug
Side length	minimum 100 mm maximum 5000 mm
Materials	anodised aluminium coloured
Warning!	For corner connections please allow for the LED plug connections. Drill hole for the connection cable at least 10 mm in diameter

Nominal voltage	LED white	12 V DC
	LED RGB	24 V DC
Illuminant	LED	
Light colour white	3000 K (warm white) 4000 K (neutral white)	
	Brightness	300 lm/m
	Power	5 W/m
Light colour RGB	Brightness	440 lm/m
	Power	17 W/m
Energy efficiency class	A+	
Protection class	◊	
Protection type	IP 20	



Dimensions in mm