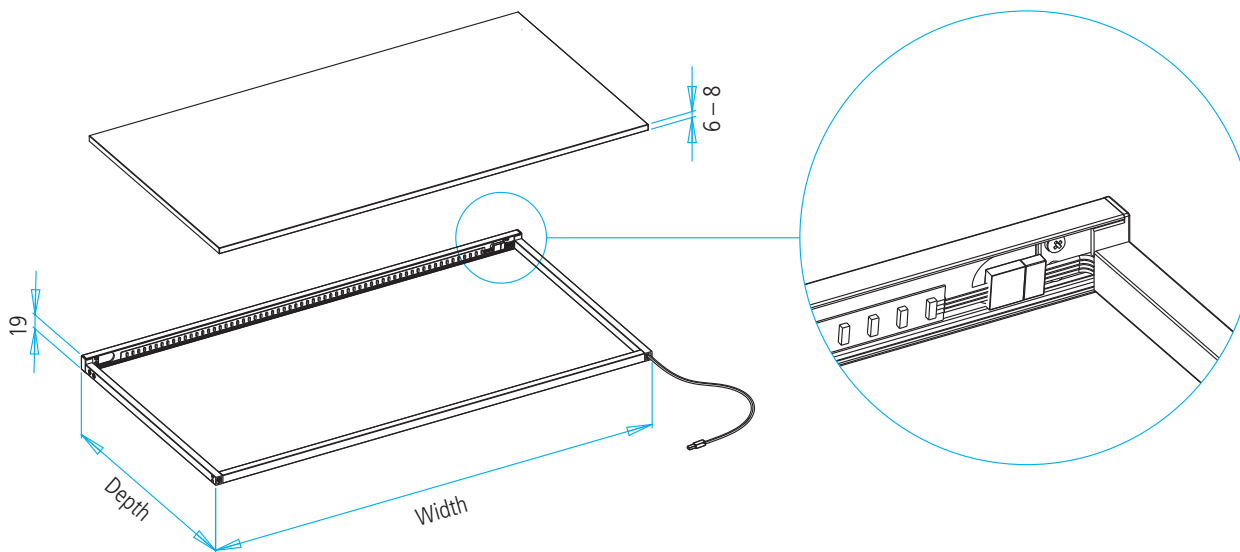


# Shelf GERA Light system 4

Light connection	left, connecting cable 1.5 m with mini plug
Width/Depth	minimum 300 mm / 100 mm maximum 1200 mm / 650 mm
Load-bearing capacity	24 kg
Attachment	place on shelf supports, can optionally be screw fastened
Materials	anodised aluminium coloured anodised stainless steel coloured Single-pane safety glass satin-finished Sensor switch on/off (optional)

## Technical information 06.2015

Nominal voltage	12 V DC
Illuminant	LED
Light colour white	3000 K (warm white)
	Brightness 1000 lm/m
	Power 12 W/m
Energy efficiency class	A+
Protection class	◊
Protection type	IP 20



Dimensions in mm